




REVISION HISTORY

Refer to the DCA and associated markups for a complete description of the changes incorporated in a revision.

REV	DCA	DATE	DRAWN	CHECKED	APPROVED	PUBLISHED
-	W17867	03/28/18	 <small>Digitally signed by Jay Lydick Date: 2018.03.30 14:45:24 -07'00'</small>	 <small>Digitally signed by John Rodriguez Date: 2018.04.03 10:26:20 -07'00'</small>	 <small>Digitally signed by Jay Lydick Date: 2018.04.03 15:48:00 -07'00'</small>	<small>CSB CVN-251</small> Published 2018.04.16 15:12:37 -07'00' <small>These coordinates, technology or software are controlled in accordance with the United States Export Administration Regulations. When exporting from the United States, licensure contrary to U.S. Law is prohibited.</small>

THIS DOCUMENT CONTAINS PROPRIETARY INFORMATION.

NEITHER RECEIPT NOR POSSESSION OF THIS DOCUMENT CONFERS ANY RIGHT TO REPRODUCE, USE OR DISCLOSE, IN WHOLE OR IN PART, ANY INFORMATION CONTAINED IN THIS DOCUMENT WITHOUT WRITTEN AUTHORIZATION FROM WULFSBERG ELECTRONICS.



Chelton Avionics, Inc.
dba Wulfsberg Electronics Division
Prescott, AZ

CAGE
CODE
1WZE2

A PRINTED COPY OF THIS DOCUMENT MAY NOT BE THE LATEST REVISION.
IT IS THE **USER'S RESPONSIBILITY** TO ENSURE THAT HE OR SHE IS USING THE LATEST DOCUMENT REVISION. THE LATEST REVISION MAY BE VIEWED OR PRINTED FROM THE ELECTRONIC DOCUMENT DISTRIBUTION SYSTEM.

DOCUMENT TITLE
**SERVICE BULLETIN, CSB CVN-251-09
Adapt CVN-251 for Series III Mounting
Tray**

SIZE A	LRU CVN-251	DOCUMENT NUMBER 150-372505	REV -
------------------	-----------------------	--------------------------------------	-----------------

Typed signatures indicate approval. Handwritten signature approval of this document is on file at Wulfsberg Electronics, Prescott, Arizona.

SCALE: NONE DO NOT SCALE DRAWING

SERVICE BULLETIN

EQUIPMENT: CVN-251

DATE: 03/28/18

BULLETIN NUMBER: CSB CVN-251-09

REVISION: -

Section 1 Planning Information

1.0 Implementation Approval

Aircraft OEMs, and Cobham Aerospace Communications recognized Part 145 service centers and recognized Dealers with CAA-approved installation capabilities.

1.1 Compliance

As required (optional).

1.2 Description

This bulletin provides instructions for applying a mounting tray adapter kit onto a CVN-251 Nav Receiver for installation into a legacy Series III VN-411B mounting tray.

This bulletin may also be used for removing an existing mounting tray adapter from a CVN-251 Nav Receiver for installation into a FliteLine CVN-251 mounting tray.

1.3 Applicability

Part Number PN 400-048500-[0xxx], any Serial Number.

Note: "x" represents a variable part number digit

1.4 Reason

1.) Application of adapter kit (PN 149-448014-01) allows for installation of a CVN-251 Nav Receiver to be installed into an existing 4" wide legacy Series III VN-411B Nav Receiver tray.

2.) Removal of adapter kit (PN 149-448014-01) allows for installation of a CVN-251 Nav Receiver into a 2.5" wide FliteLine Nav/Com tray.

1.5 Approval

N/A

1.6 Costing/Parts and Labor

N/A

1.7 Special Equipment Required

N/A

1.8 Software Configuration

N/A

1.9 Weights and Balance

N/A

1.10 Electrical Load Data

N/A

1.11 Other Publications Affected

Installation Manual 150-048500

1.12 Reference Documents

Installation Manual 150-048500

Section 2 Procedure Instructions

2.1 Modification Procedure

CAUTION

Observe ESD safety measures by installing ESD-compliant connector plugs to all external LRU connectors before proceeding to avoid electrostatic damage to internal components

- A. To install the mounting adapter kit:
1. Position adapter bracket, PN 149-448014-01, onto the front flange of the CVN-251 as shown in Figure 1.
 2. Screw bracket into place using the two 4-40 X ¼" FHP Screws, PN MS24693-2B, tightened to a torque value of 5.2 in-lbs.
- B. To remove the mounting adapter kit:
1. Remove the two 4-40 X 3/16 FHP Screws and adapter bracket in reverse order of installation (above).

2.2 Identification Procedure

No marking required.

2.3 Acceptance Test procedures

Perform a complete final acceptance / Return to Service test of the LRU in accordance with the appropriate Maintenance Manual.

Section 3 Material Information/Parts Required

The parts required to install this Adapter Kit in accordance with this procedure are available from Cobham Aerospace at (928) 708-1518.

ITEM	QTY	U/M	PART NUMBER	DESCRIPTION	REF
0	1	EA	149-448014-01	ADAPTER KIT, CVC/CVN	N/A
1	1	EA	146-048126-01	BRACKET, ADAPTER, 2.5" TO 4" TRAY	N/A
2	2	EA	MS24693-2B	SCREW, 4-40 x 1/4" FHP	N/A

Section 4 Warranty Information

This modification is not covered under warranty.

Section 5 Illustrations

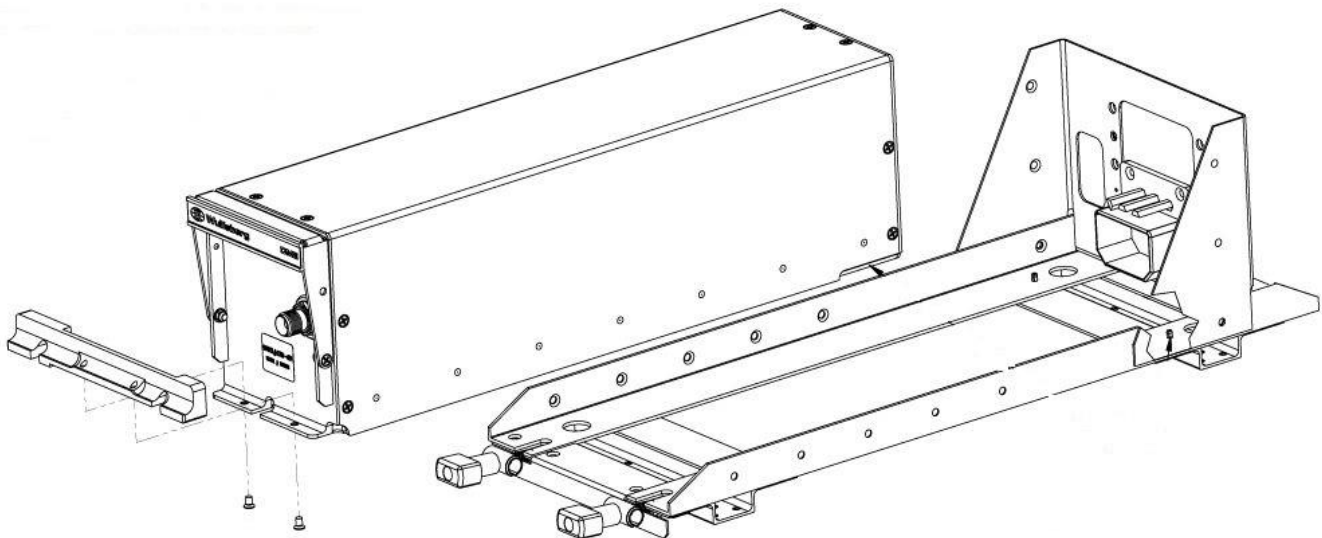


Figure 1 – Orientation of tray adapter bracket and screws

-----END-----