




REVISION HISTORY

Refer to the DCA and associated markups for a complete description of the changes incorporated in a revision.

REV	DCA	DATE	DRAWN	CHECKED	APPROVED	PUBLISHED
-	W17867	03/28/18	 <small>Digitally signed by Jay Jensen Date: 2018.04.12 12:52:57 -07'00'</small>	 <small>Digitally signed by John Rodriguez Date: 2018.04.03 10:31:42 -07'00'</small>	 <small>Digitally signed by Guy Lydick Date: 2018.04.03 15:49:57 -07'00'</small>	<small>15:08:15</small> Published 2018.04.16 <small>These commodities, technology or software are controlled in accordance with the United States Export Administration Regulations. When exporting from the United States, Diversion contrary to U.S. Law is prohibited.</small>

THIS DOCUMENT CONTAINS PROPRIETARY INFORMATION.

NEITHER RECEIPT NOR POSSESSION OF THIS DOCUMENT CONFERS ANY RIGHT TO REPRODUCE, USE OR DISCLOSE, IN WHOLE OR IN PART, ANY INFORMATION CONTAINED IN THIS DOCUMENT WITHOUT WRITTEN AUTHORIZATION FROM WULFSBERG ELECTRONICS.



Chelton Avionics, Inc.
dba Wulfsberg Electronics Division
Prescott, AZ

CAGE
CODE
1WZE2

A PRINTED COPY OF THIS DOCUMENT MAY NOT BE THE LATEST REVISION.
IT IS THE **USER'S RESPONSIBILITY** TO ENSURE THAT HE OR SHE IS USING THE LATEST DOCUMENT REVISION. THE LATEST REVISION MAY BE VIEWED OR PRINTED FROM THE ELECTRONIC DOCUMENT DISTRIBUTION SYSTEM.

DOCUMENT TITLE
**SERVICE BULLETIN, CSB CDM-451-15
Adapt CDM-451 for Series III Mounting
Tray**

SIZE A	LRU CDM-451	DOCUMENT NUMBER 150-372507	REV -
------------------	-----------------------	--------------------------------------	-----------------

Typed signatures indicate approval. Handwritten signature approval of this document is on file at Wulfsberg Electronics, Prescott, Arizona.

SCALE: NONE DO NOT SCALE DRAWING

SERVICE BULLETIN

EQUIPMENT: CDM-451

DATE: 03/28/2018

BULLETIN NUMBER: CDM-451-15

REVISION: -

Section 1 Planning Information

1.0 Implementation Approval

Aircraft OEMs, and Cobham Aerospace Communications recognized Part 145 service centers and recognized Dealers with CAA-approved installation capabilities.

1.1 Compliance

As required.

1.2 Description

This bulletin provides instructions for applying a mounting tray adapter kit onto a CDM-451 DME for installation into a legacy Series III DM-441B mounting tray.

This bulletin may also be used for removing an existing mounting tray adapter from a CDM-451 DME for installation into a FliteLine CDM-451 mounting tray.

1.3 Applicability

Part Number PN 400-041181-[0xxx], any Serial Number.

Note: "x" represents a variable part number digit

1.4 Reason

1.) Application of adapter kit (PN 149-441754-01) allows for installation of a CDM-451 DME to be installed into an existing legacy Series III DM-441B DME tray.

2.) Removal of adapter kit (PN 149-441754-01) allows for installation of a CDM-451 DME into a FliteLine CDM-451 DME tray.

1.5 Approval

N/A

1.6 Costing/Parts and Labor

N/A

COBHAM PUBLIC
150-372507 Revision -

1.7 Special Equipment Required

N/A

1.8 Software Configuration

N/A

1.9 Weights and Balance

Change of weight or balance is negligible.

1.10 Electrical Load Data

N/A

1.11 Other Publications Affected

Installation Manual 150-041761

1.12 Reference Documents

Installation Manual 150-041761

Section 2 Procedure Instructions

2.1 Modification Procedure

CAUTION

Observe ESD safety measures by installing ESD-compliant connector plugs to all external LRU connectors before proceeding to avoid electrostatic damage to internal components

- A. To install the mounting adapter kit:
1. Position adapter bracket, PN 146-041754-01, onto the front flange of the CDM-451 as shown in Figure 1.
 2. Screw bracket into place using the two 4-40 X 3/16 FHP Screws, PN MS24693-C1, tightened to a torque value of 5.2 in-lbs.
 3. Identify the unit with the procedure as described in the Identification Procedure.
- B. To remove the mounting adapter kit:
1. Remove the two 4-40 X 3/16 FHP Screws and adapter bracket in reverse order of installation (above).

2.2 Identification Procedure

No marking required.

2.3 Acceptance Test procedures

Perform a complete final acceptance / Return to Service test of the LRU in accordance with the appropriate Maintenance Manual.

Section 3 Material Information/Parts Required

The parts required to modify this unit in accordance with this procedure are available from Cobham Aerospace at (928) 708-1518.

ITEM	QTY	U/M	PART NUMBER	DESCRIPTION	REF
0	1	EA	149-441754-01	ADAPTER KIT, CDM-451	N/A
1	1	EA	146-041754-01	TRAY ADAPTER BRACKET, CDM-451	N/A
2	2	EA	MS24693-C1	SCREW, 4-40 X 3/16 FHP	N/A

Section 4 Warranty Information

This modification is not covered under warranty.

Section 5 Illustrations

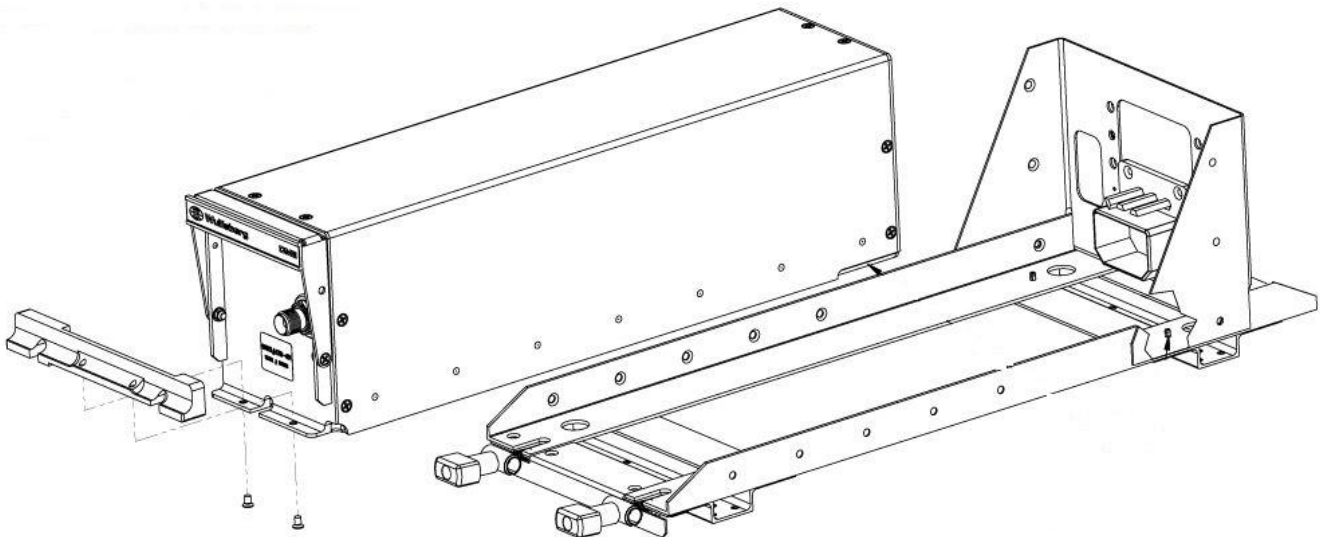


Figure 1 – Orientation of tray adapter bracket and screws

-----END-----